



## 578nm-610nm Narrow Linewidth Laser

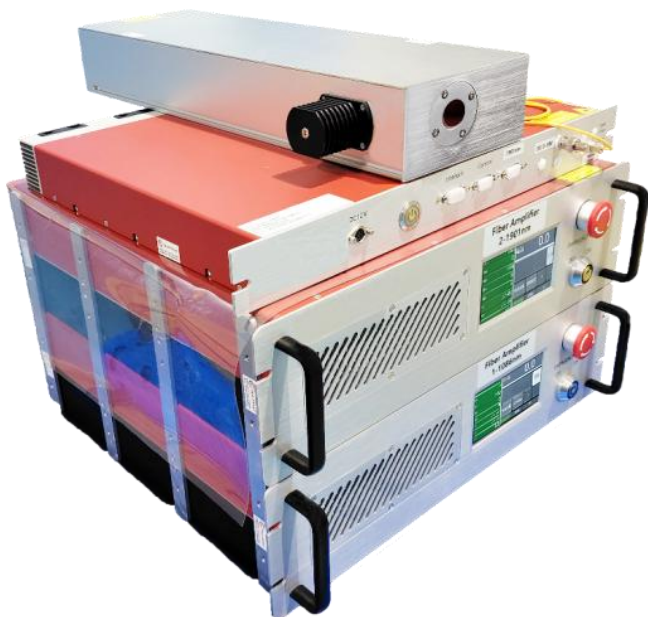
A thulium-doped fiber DFB laser is frequency-doubled, then sum frequency generated with a erbium-doped fiber laser to produce high-power narrow-linewidth laser output..

### Features

- Narrow Linewidth
- Low Intensity Noise
- High Power
- Active Power Stabilization: <math><0.75\%</math>rms, 3hrs
- Excellent Beam Quality ( $M^2 < 1.1$ )
- Never Mode-hop

### Applications

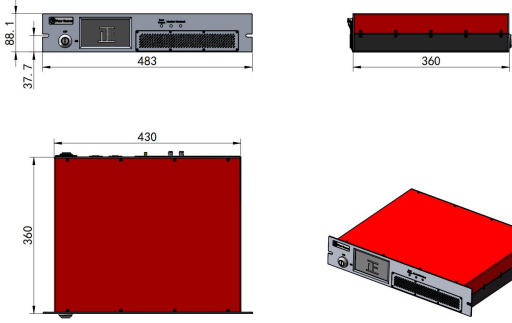
- Optical Lattices, Atomic Cooling and Trapping
- Laser Medical Treatment
- Solar Cell Processing



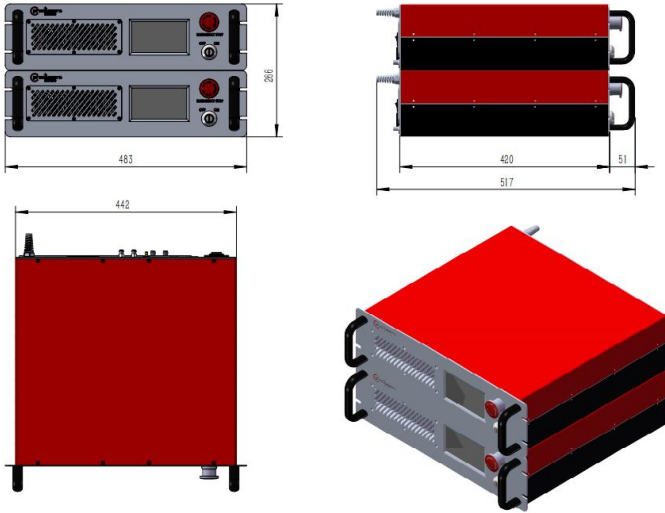


## Air Cooling Version Dimensions

### Thulium-doped fiber DFB seed laser (air-cooled)

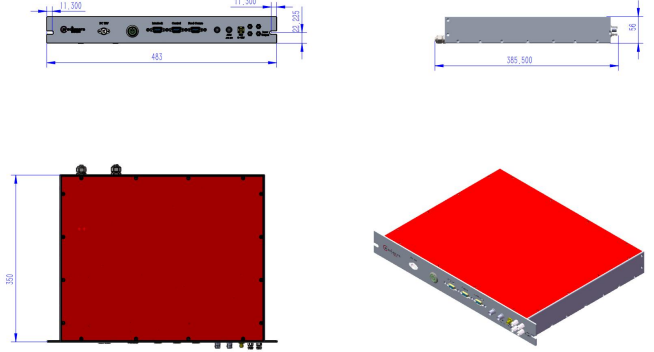


### Air-cooled chassis dimensions

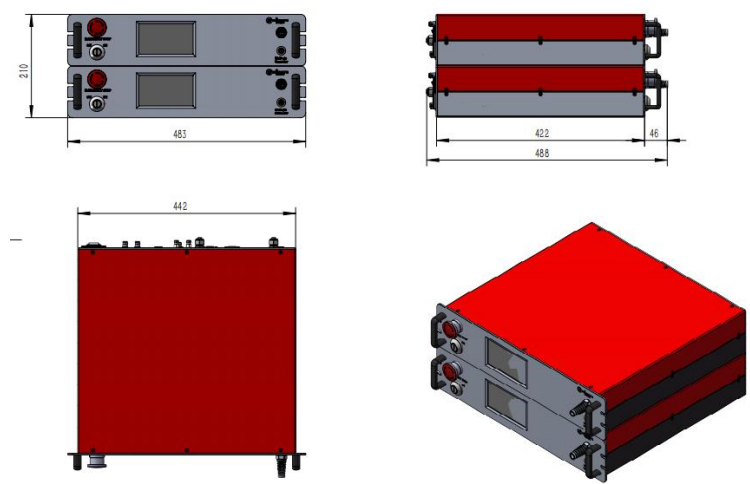


## Water Cooling Version Dimensions

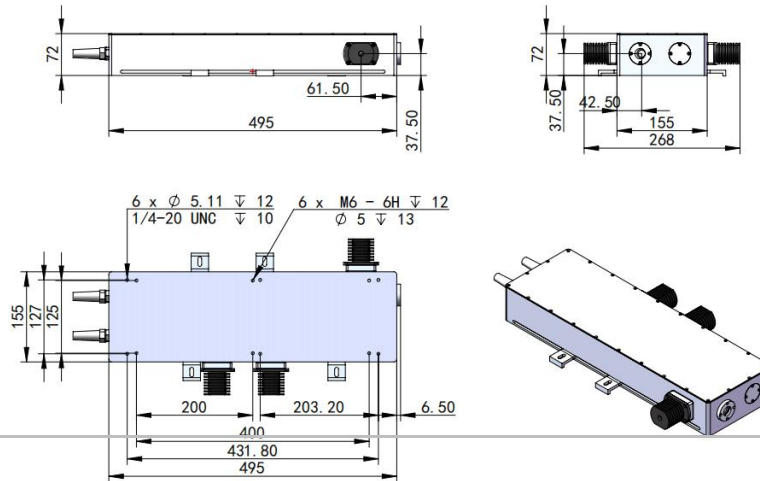
### Thulium-doped fiber DFB seed laser (water-cooled)



### Water cooling chassis dimensions



## Laser Head



Shanghai Precilasers Technology Co., Ltd.  
 Floor 2, Building 2, No. 1918, Xupan Road, Jiading  
 District, Shanghai  
 021-59160265

[info@precilasers.com](mailto:info@precilasers.com) | [www.precilasers.com](http://www.precilasers.com)



### ⚠ Laser Hazard

Visible or invisible laser radiation, avoid eye or skin exposure to direct, reflected or filtered radiation.  
**CLASS 4 Laser Products**

